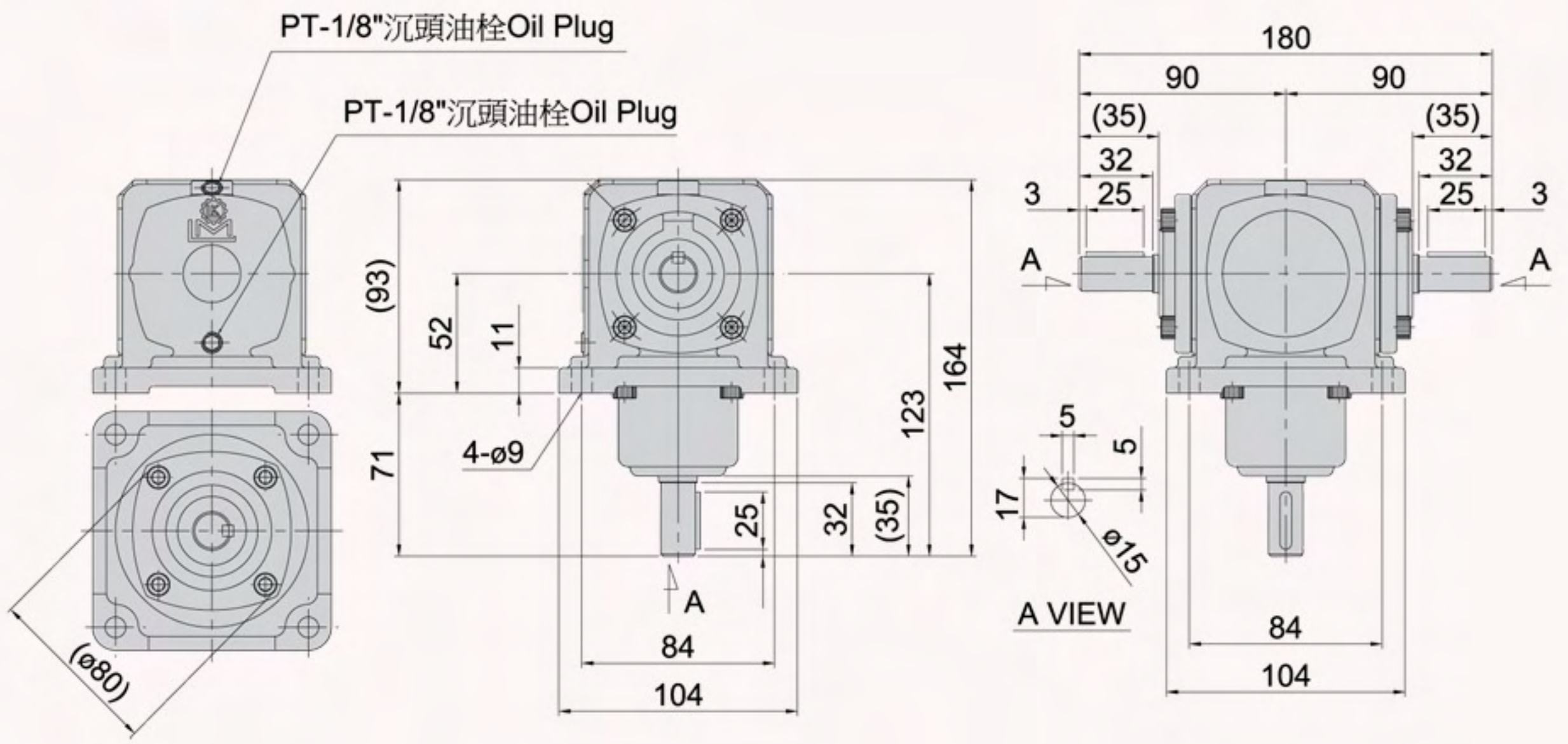
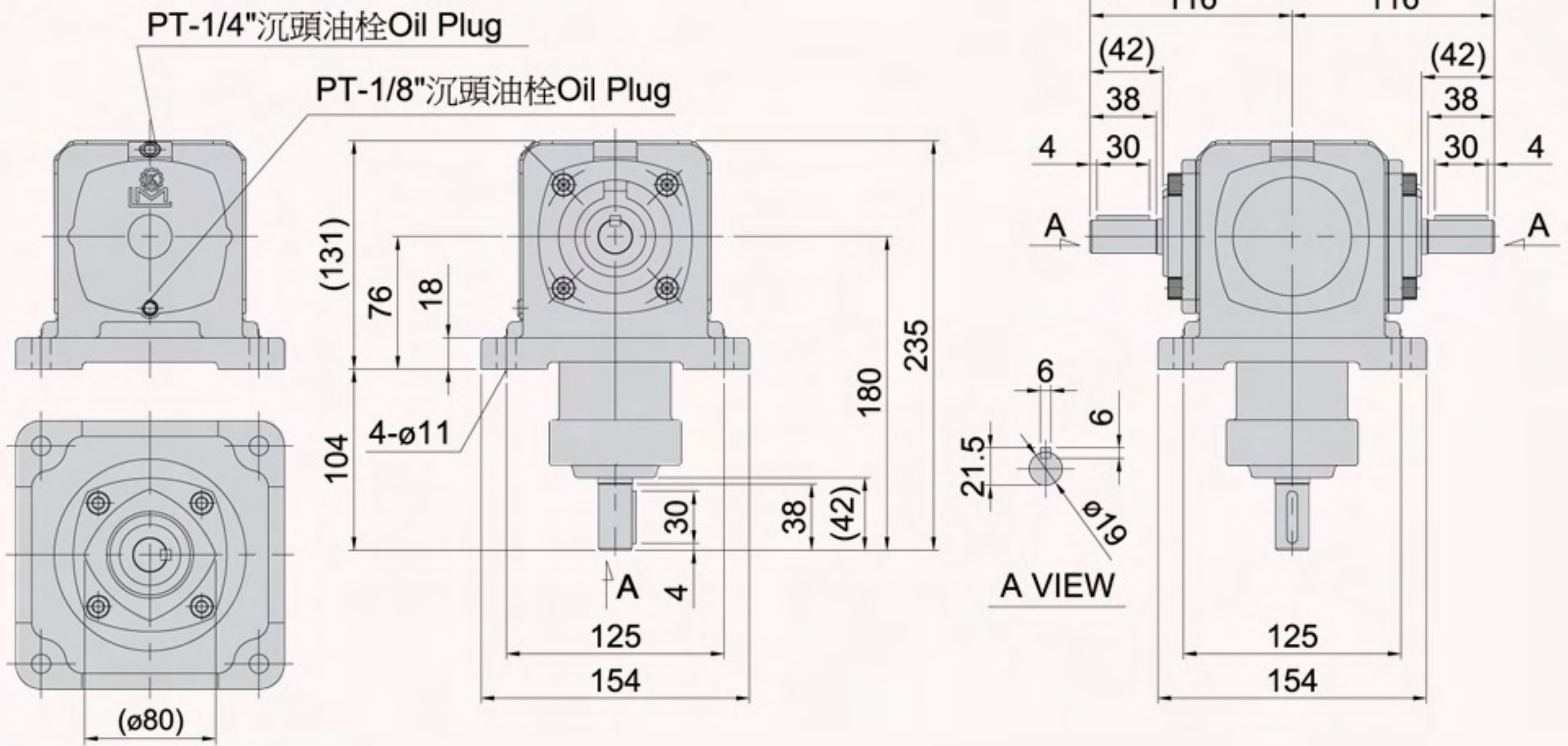


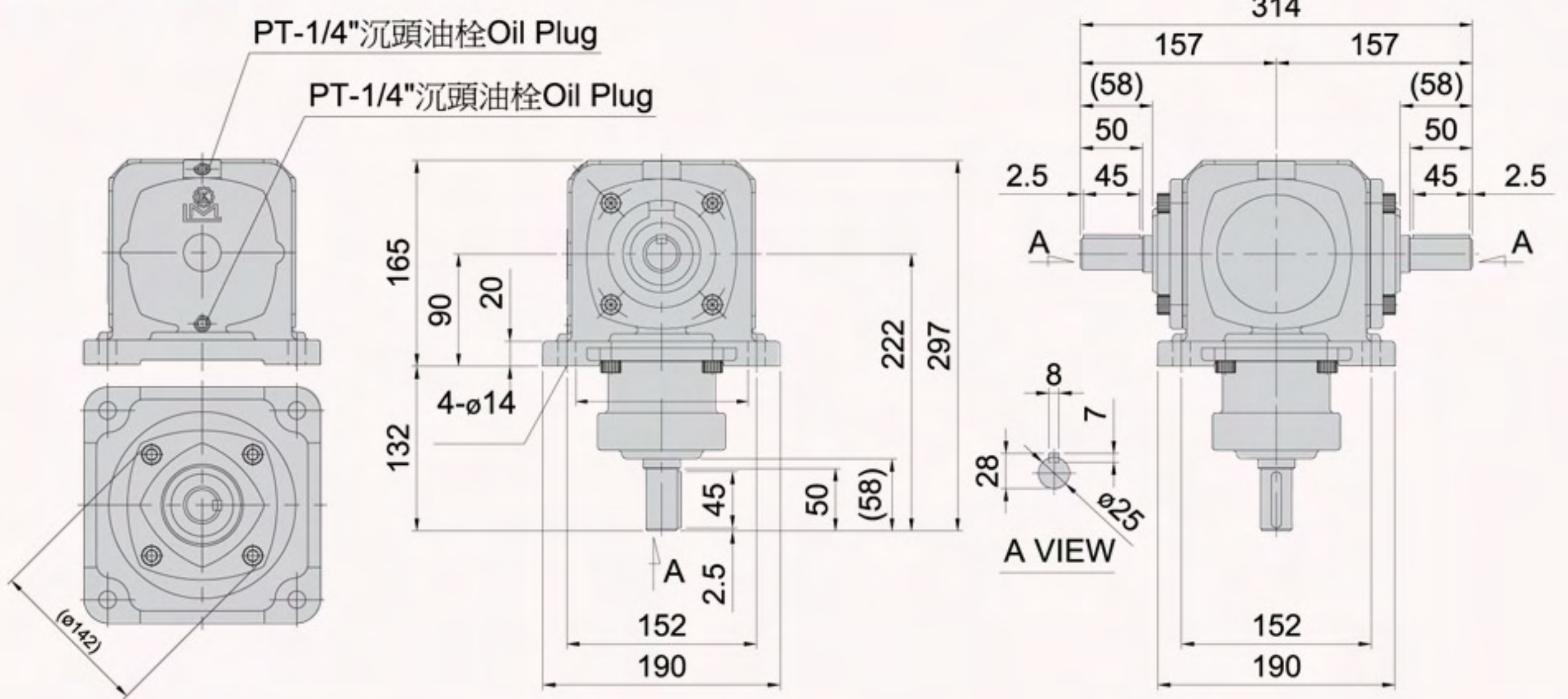
MODEL : TH-15DW



MODEL : TH-19DW



MODEL : TH-25DW



MODEL : TH-40DW

