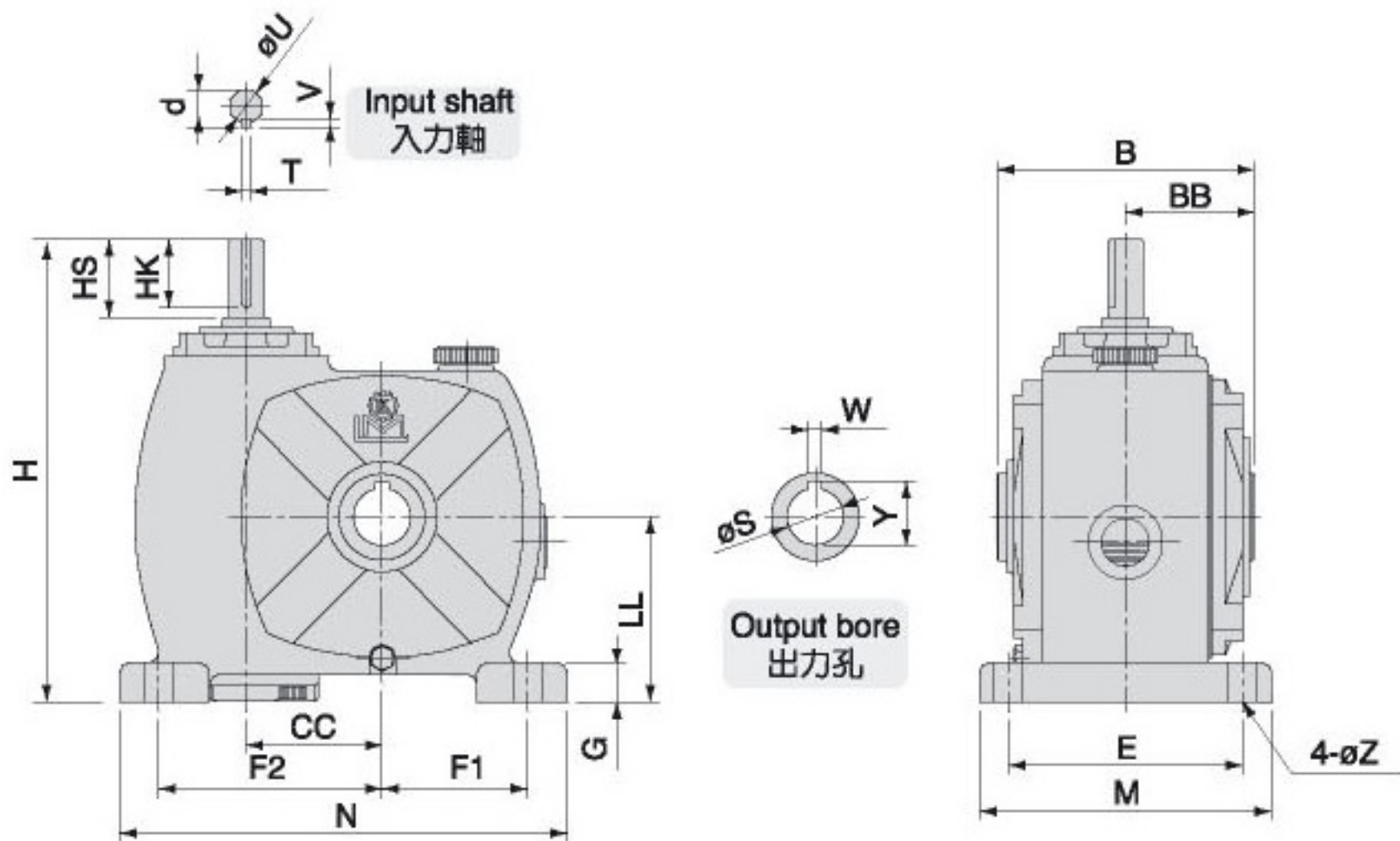


# MODEL : TOW



▲70#~135#



尺寸表 Dimension(m/m)

| 減速比<br>RATIO |               | 馬力<br>HP | H   | LL  | CC  | BB  | B   | 腳座<br>FOOT STOCK |     |     |     |     | 入力軸<br>INPUT SHAFT |    |    |    | 出力孔<br>OUTPUT BORE |         |        | 重量<br>Weight<br>(KG) |    |      |
|--------------|---------------|----------|-----|-----|-----|-----|-----|------------------|-----|-----|-----|-----|--------------------|----|----|----|--------------------|---------|--------|----------------------|----|------|
| 型號<br>MODEL  | 1/10~<br>1/30 |          |     |     |     |     |     | 1/40~<br>1/60    | F1  | F2  | E   | M   | N                  | G  | Z  | HS | U                  | d       | TxVxHK |                      | W  | Y    |
| 60           | 1/2           | 1/4      | 170 | 90  | 60  | 54  | 108 | 67               | 98  | 105 | 130 | 207 | 21                 | 11 | 40 | 15 | 17                 | 5x5x35  | 7      | 28.3                 | 25 |      |
| 70           | 1             | 1/2      | 235 | 95  | 70  | 64  | 128 | 75               | 115 | 120 | 150 | 230 | 20                 | 15 | 40 | 18 | 20                 | 5x5x35  | 8      | 33.3                 | 30 | 13.6 |
| 80           | 2             | 1        | 266 | 105 | 80  | 69  | 138 | 90               | 125 | 125 | 160 | 264 | 20                 | 15 | 50 | 22 | 25                 | 7x7x45  | 10     | 38.3                 | 35 | 20   |
| 100          | 3             | 2        | 325 | 135 | 100 | 89  | 178 | 100              | 150 | 155 | 195 | 310 | 25                 | 15 | 50 | 25 | 28                 | 7x7x45  | 10     | 43.3                 | 40 | 41.2 |
| 120          | 5             | 3        | 391 | 160 | 120 | 99  | 198 | 120              | 180 | 180 | 230 | 360 | 28                 | 18 | 65 | 30 | 33                 | 7x7x60  | 12     | 48.3                 | 45 | 57.8 |
| 135          | 7 1/2         | 5        | 428 | 170 | 135 | 109 | 218 | 130              | 200 | 200 | 250 | 390 | 30                 | 18 | 75 | 35 | 38                 | 10x8x70 | 15     | 59.3                 | 55 | 77.8 |