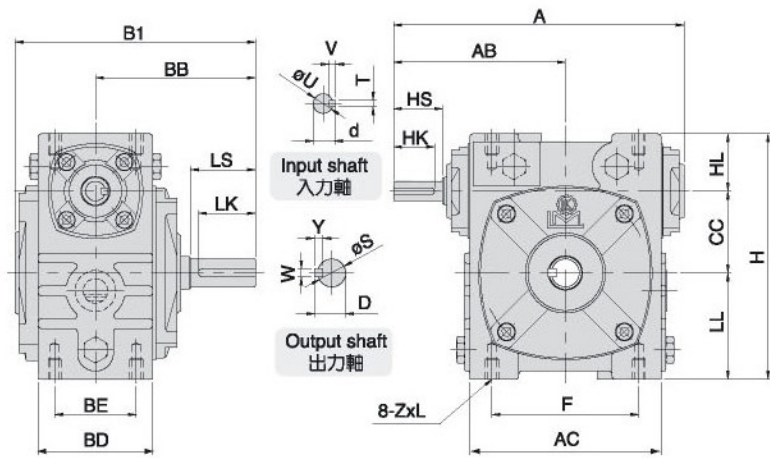


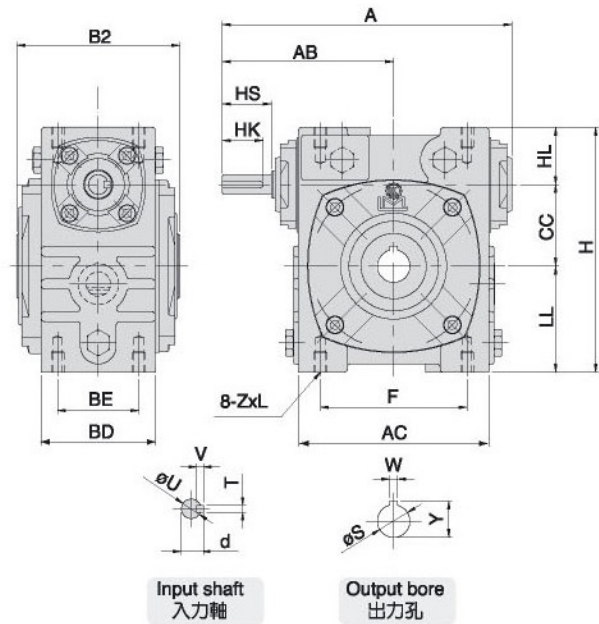
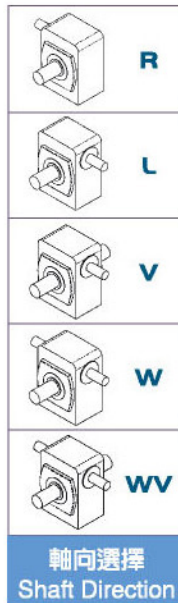
MODEL : E



MODEL : EO



型號 MODEL	出力孔 OUTPUT BORE		
	W	S	Y
40	6	20	22.8
50	6	20	22.8
60	8	25	28.3
70	8	30	33.3
80	10	35	38.3
100	10	40	43.3
120	12	45	48.3
135	15	55	59.3



尺寸表 Dimension(m/m)

減速比 RATIO	馬力 HP	腳座 FOOT STOCK										入力軸 INPUT SHAFT				出力軸 OUTPUT SHAFT				重量 Weight (KG)					
		A	AB	B1	B2	BB	CC	HL	LL	H	AC	F	BD	BE	ZxL	HS	U	d	TxVxHK	LS	S	D	WxYxLK	E	EO
		MODEL 型號	1/10- 1/30	1/40- 1/60																					
40	1/8	139.5	86	122	88	80	40	28	48	116	92	76	55	M6x12	25	12	13.5	4x4x20	30	15	17	5x5x25	3	4	
50	1/4	178	105	149	98	98	50	35	65	150	115	90	70	M8x16	30	12	13.5	4x4x25	40	17	19	5x5x35	6.2	7.2	
60	1/2	198	120	164	108	110	60	42	75	177	125	100	77	M10x20	40	15	17	5x5x35	50	22	25	7x7x45	9.2	10.4	
70	1	235	140	193	128	130	70	50	85	205	158	125	87	M10x20	40	18	20	5x5x35	60	28	31	7x7x55	14	14.2	
80	2	268	161	210	138	140	80	60	92	232	175	145	98	M10x20	50	22	25	7x7x45	65	32	35	10x8x60	18.4	20.4	
100	3	322	190	260	178	170	100	75	115	290	226	185	117	M12x24	50	25	28	7x7x45	75	38	41	10x8x70	34.6	35.4	
120	5	390	231	288	198	190	120	95	155	370	264	220	132	M14x28	65	30	33	7x7x60	85	45	48	12x8x80	56.8	58.2	
135	7 1/2	5	438	258	322	218	214	135	105	425	306	260	150	M16x30	75	35	38	10x8x70	95	55	59	15x10x90	81.2	78.8	