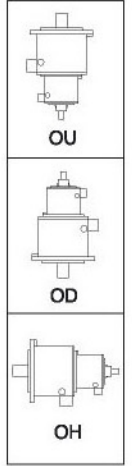
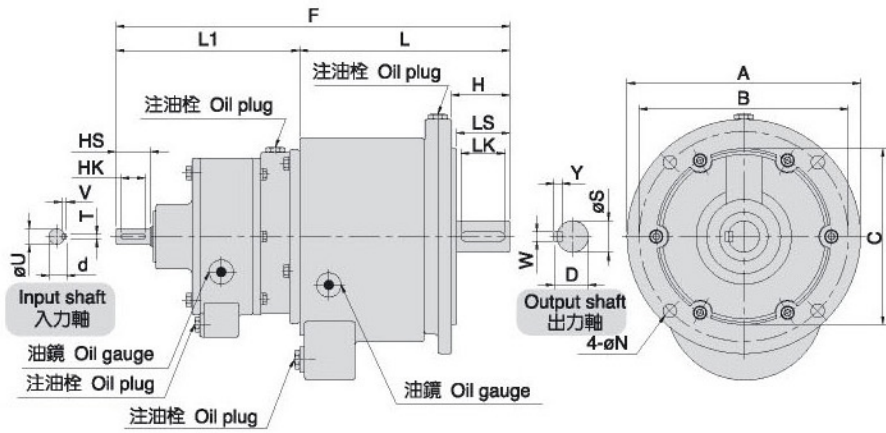


## ■ 立式多速比減速機

VERTICAL MULTI-STAGE & DOUBLE SHAFT REDUCER

### ■ MODEL : LSVD

使用方向  
Direction  
of Installation



### ■ 減速比 RATIO 1/200~ 1/6000

尺寸表 Dimension

單位 : m/m

型號 MODEL	L	L1	F	法蘭面 FLANGE				輸入軸 INPUT SHAFT				輸出軸 OUTPUT SHAFT					重量 Weight (KG)
				A	B	C	N	d	HS	TxVxHK	U	D	LS	S	WxYxLK	H	
LSVD-406	216	190	406	240	215	180	14	18	35	5x5x25	16	35	55	32	10x8x45	60	32
LSVD-408	239	243	482	280	245	210	14	21	40	5x5x30	19	41	60	38	10x8x50	66	41
LSVD-508	239	190	429	280	245	210	14	18	35	5x5x25	16	41	60	38	10x8x50	65	39
LSVD-410	266	292	558	330	300	250	18	27	50	7x7x40	24	45	65	42	12x8x55	70	65
LSVD-510	266	268	534	330	300	250	18	21	40	5x5x30	19	45	65	42	12x8x55	70	69
LSVD-610	289	215	504	330	300	250	18	18	35	5x5x25	16	45	65	42	12x8x55	70	75
LSVD-412	305	292	597	380	335	290	18	27	50	7x7x40	24	51	75	48	12x8x65	80	85
LSVD-512	315	292	607	380	335	290	18	27	50	7x7x40	24	51	75	48	12x8x65	80	89
LSVD-612	315	268	583	380	335	290	18	21	40	5x5x30	19	51	75	48	12x8x65	80	96
LSVD-414	363	336	699	450	400	350	22	31	55	7x7x45	28	66	85	62	15x10x75	90	110
LSVD-514	378	293	656	450	400	350	22	27	50	7x7x40	24	66	85	62	15x10x75	90	132
LSVD-614	378	268	640	450	400	350	22	21 27	40 50	5x5x30 7x7x45	19 24	66	85	62	15x10x75	90	136
LSVD-416	434	336	770	500	450	400	24	31	55	7x7x45	28	80.5	100	76	20x12x90	105	187
LSVD-516	452	336	788	500	450	400	24	31	55	7x7x45	28	80.5	100	76	20x12x90	105	210
LSVD-616	452	353	805	500	450	400	24	27	50	7x7x40	24	80.5	100	76	20x12x90	105	214
LSVD-417	479	379	858	590	540	480	24	35	55	10x8x45	32	84.5	110	80	20x12x100	115	284
LSVD-517	479	370	849	590	540	480	24	31 35	55 60	7x7x45 10x8x50	28 32	84.5	110	80	20x12x100	115	282
LSVD-617	484	353	825	590	540	480	24	31	55	7x7x45	28	84.5	110	80	20x12x100	115	281
LSVD-418	565	386	951	660	610	560	24x6	35	60	10x8x50	32	106.5	130	100	24x16x120	135	397
LSVD-518	599	386	986	660	610	560	24x6	31 35	55 60	7x7x45 10x8x50	28 32	106.5	130	100	24x16x120	135	454
LSVD-618	599	370	969	660	610	560	24x6	31	55	7x7x45	28	106.5	130	100	24x16x120	135	461